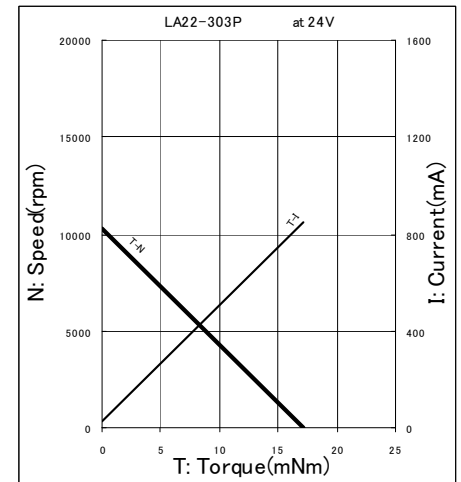
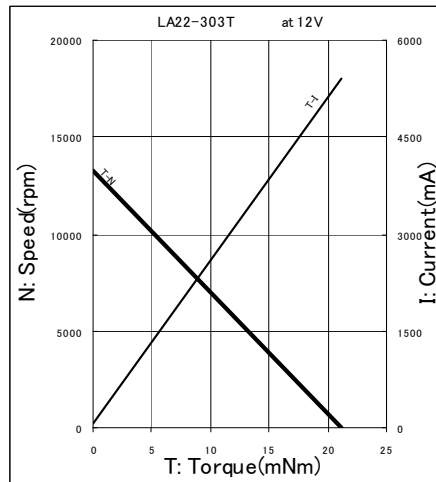
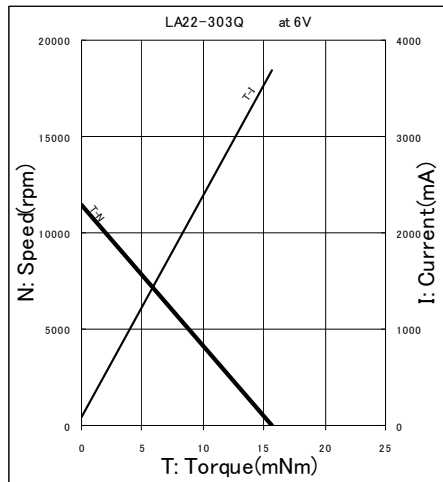


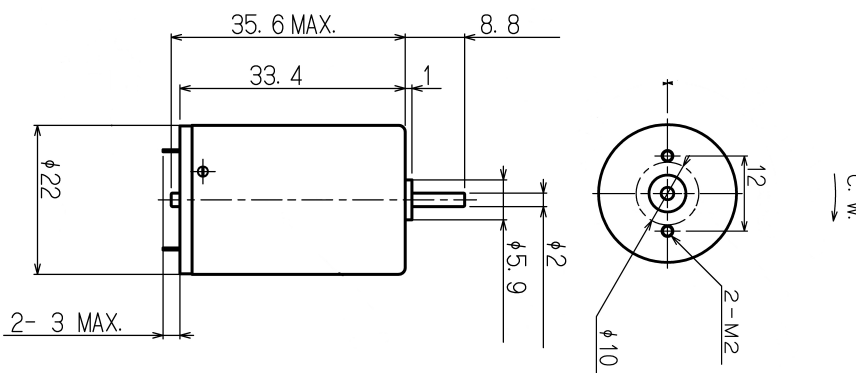


- Voltage variation (6V, 12V, 24V)
- RoHS Compliant

Model	Voltage DC	Rated Current (mA)	Stall Current (mA)	Rated Torque		Stall Torque		Rated Speed (rpm)	No Load Speed (rpm)
				oz-in	mNm	oz-in	mNm		
LA22-303Q	6	850	3700	0.416	2.94	2.22	15.7	9200	11500
LA22-303T	12	1000	540	0.416	2.94	2.99	21.1	11500	13300
LA22-303P	24	300	850	0.833	5.88	2.44	17.2	6800	10300



Outline Dimensions (mm)



Nidec Copal (U.S.A.) Corp.

373 Van Ness Ave Suite 130

Torrance, CA 90501

Tel: (310) 782-6102

Fax: (310) 782-6821

www.nidec-copal-usa.com

info@nidec-copal-usa.com