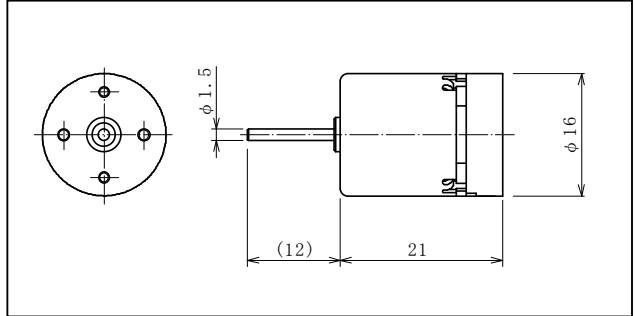


# COPAL

## LB16A 6Vdc 16mm Brushless Motor



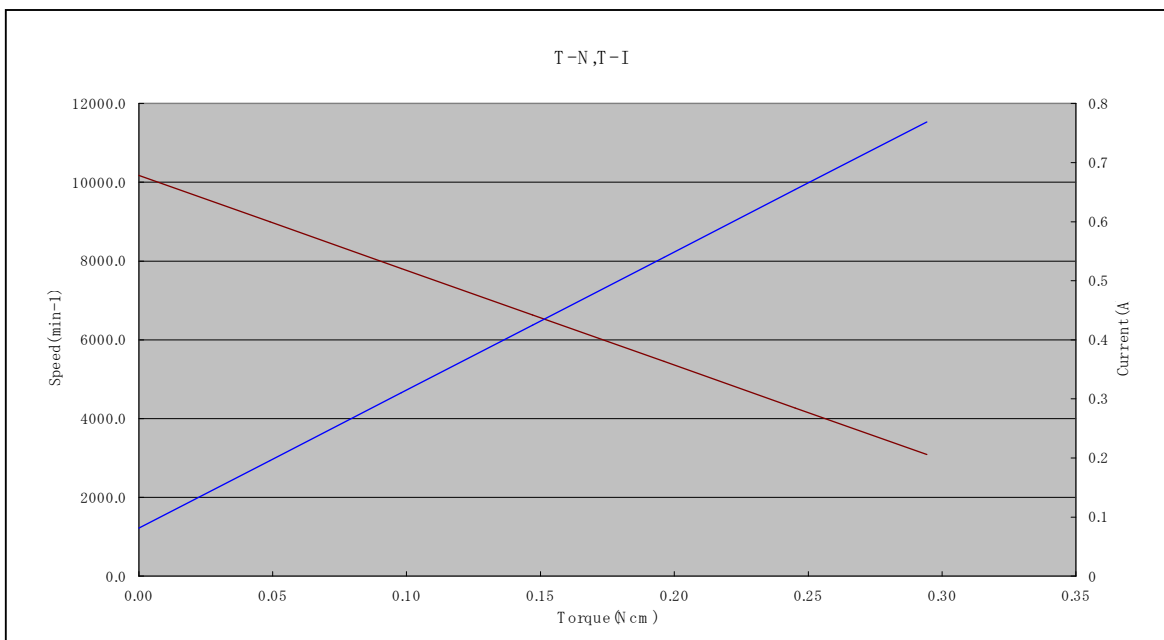
Drive Electronics : Internal  
 Case : Metal  
 Bearing Type : Sleeve  
 Operating Temp : 0°C~50°C  
 Rotation : CW; CCW  
 Net Weight : 13g

**RoHS Compliant**

| Model | Rated Voltage (Vdc) | Operating Voltage (Vdc) | Rated Current (mA) | Starting Current (mA) | Rated Torque |     | Starting Torque |     | Rated Speed (rpm) | No Load Speed (rpm) | Sound Level (dBA) |
|-------|---------------------|-------------------------|--------------------|-----------------------|--------------|-----|-----------------|-----|-------------------|---------------------|-------------------|
|       |                     |                         |                    |                       | oz-in        | mNm | oz-in           | mNm |                   |                     |                   |
| LB16A | 6                   | 5.4~6.6                 | 450                | 800                   | 0.21         | 1.5 | 0.35            | 2.5 | 6,600             | 10,000              | 42                |

Sound levels measured at 0.3 meters from the motor case

● Performance Curves



## Input / Output Signal

| Wire No. | Item             | Standard                                | Wire Color |
|----------|------------------|---|------------|
| 1        | GND              |   | Black      |
| 2        | VM (Motor Power) | 3.5~6.6VDC (Motor Speed Control)        | Gray       |
| 3        | Vcc              | 6VDC (5.4~6.6VDC)                       | Red        |
| 4        | CW/CCW           | CW: to Vcc; CCW: to GND                 | Green      |
| 5        | FG               | P-P:GND to Vcc 4 P/R Square wave signal | Yellow     |

### Nidec Copal (U.S.A.) Corporation

373 Van Ness Ave Suite 130

Torrance, CA 90501

Tel: (310) 782-6102

Fax: (310) 782-6821

[www.nidec-copal-usa.com](http://www.nidec-copal-usa.com)

[info@nidec-copal-usa.com](mailto:info@nidec-copal-usa.com)