

# COPAL

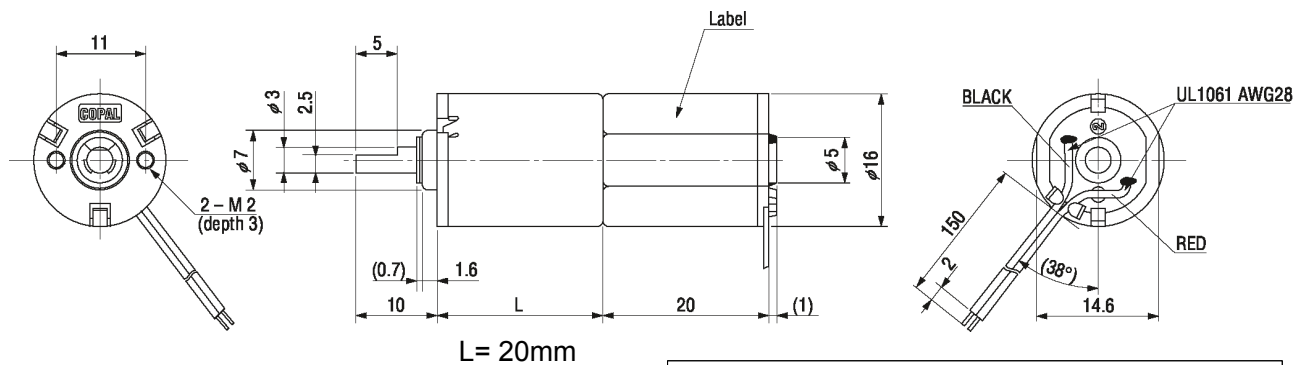
## 16mm Gear Motor HG16 Series 120:1 Ratio



Case :Metal  
Bearing :Sleeve Bearing  
Operating Temp :0°C~50°C  
Rotation :CW, CCW  
Net Weight :27g

- Resin gears for quiet operation
- Planetary gearbox
- Special configurations available upon request
- RoHS Compliant
- Optional Encoder
- Available with rear shaft

Model	Rated Voltage (DC)	Operating Voltage (DC)	Rated Current (mA)	Stall Current (mA)	Rated Torque		Stall Torque		Rated Speed (rpm)	No Load Speed (rpm)
					oz-in	mNm	oz-in	mNm		
HG16-120-AA	6	5.4~6.6	350	1600	6.94	49	39	274.5	85	100
HG16-120-AB	12	10.8~13.2	180	800						
HG16-120-AC	24	21.6~26.4	92	450	6.94	49	39	274.5	125	150



### Optional Encoder Specifications

Supply voltage: +5vdc

Supply current: 18mA

Light source: LED

Two channel square wave quadrature output

Available resolutions (cpr): 75, 150, 160, 200

### Nidec Copal (U.S.A.) Corp.

373 Van Ness Ave Suite 130

Torrance, CA 90501

Tel: (310) 782-6102

Fax: (310) 782-6821

www.nidec-copal-usa.com

info@nidec-copal-usa.com

