

COPAL

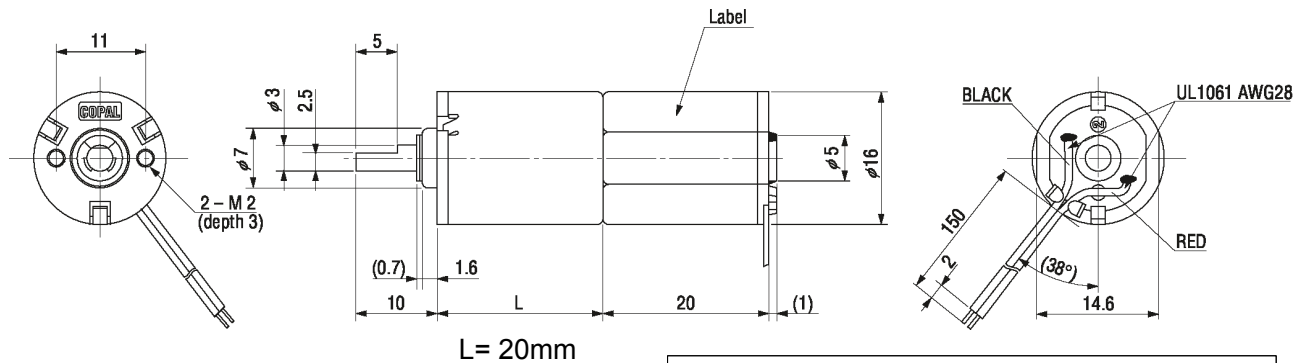
16mm Gear Motor HG16 Series 240:1 Ratio



Case :Metal
 Bearing :Sleeve Bearing
 Operating Temp :0°C~50°C
 Rotation :CW, CCW
 Net Weight :27g

- Resin gears for quiet operation
- Planetary gearbox
- Special configurations available upon request
- RoHS Compliant
- Optional Encoder
- Available with rear shaft

Model	Rated Voltage (DC)	Operating Voltage (DC)	Rated Current (mA)	Stall Current (mA)	Rated Torque		Stall Torque		Rated Speed (rpm)	No Load Speed (rpm)
					oz-in	mNm	oz-in	mNm		
HG16-240-AA	6	5.4~6.6	250	1600	6.94	49	56	392	55	60
HG16-240-AB	12	10.8~13.2	150	800						
HG16-240-AC	24	21.6~26.4	80	450	6.94	49	56	392	65	75



Optional Encoder Specifications

Supply voltage: +5vdc
 Supply current: 18mA
 Light source: LED
 Two channel square wave quadrature output
 Available resolutions (cpr): 75, 150, 160, 200

Nidec Copal (U.S.A.) Corp.

373 Van Ness Ave Suite 130
 Torrance, CA 90501
 Tel: (310) 782-6102
 Fax: (310) 782-6821
 www.nidec-copal-usa.com
 info@nidec-copal-usa.com

