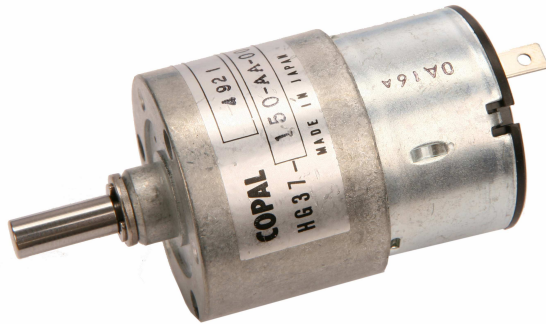


COPAL 37mm Gear Motor HG37 Series 300:1 Ratio



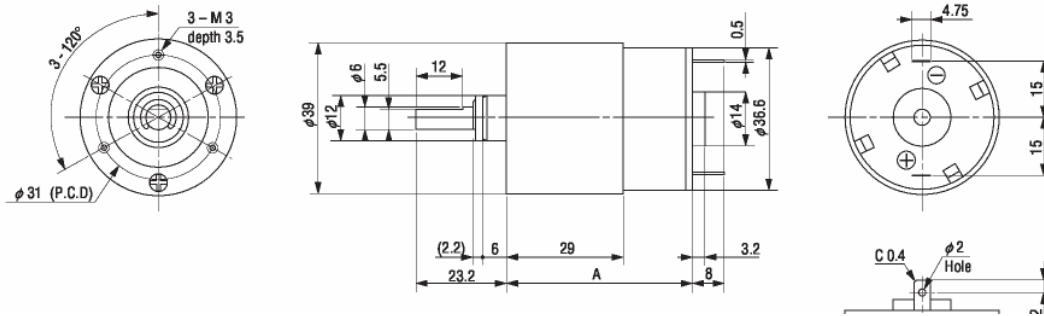
Case :Metal
 Bearing :Sleeve Bearing
 Operating Temp :0°C~50°C
 Rotation :CW, CCW
 Net Weight :155g

- Resin gears for quiet operation
- Planetary Gearbox
- Special configurations available upon request
- RoHS Compliant

Model	Rated Voltage (DC)	Operating Voltage (DC)	Rated Current (mA)	Stall Current (mA)	Rated Torque		Stall Torque		Rated Speed (rpm)	No Load Speed (rpm)
					oz-in	N-cm	oz-in	N-cm		
HG37-300-AA	12	10.8~13.2	350	1500	83.3	58.8	555	392	14.5	16.3
HG37-300-AB	24	21.6~26.4	200	750						

OUTLINE DIMENSIONS

(Unit: mm)



A= 52mm

Nidec Copal (U.S.A.) Corp.
 373 Van Ness Ave Suite 130
 Torrance, CA 90501
 Tel: (310) 782-6102
 Fax: (310) 782-6821
www.nidec-copal-usa.com
info@nidec-copal-usa.com

