

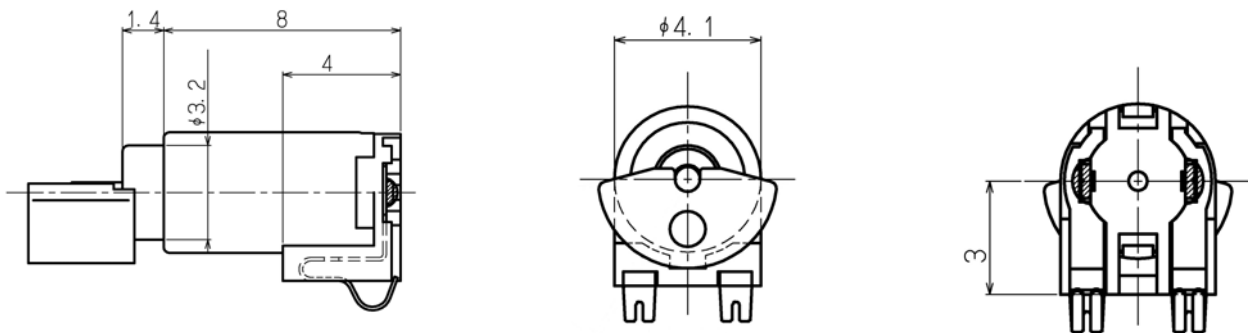
COPAL LA4-459 SERIES 4mm Vibration Motor



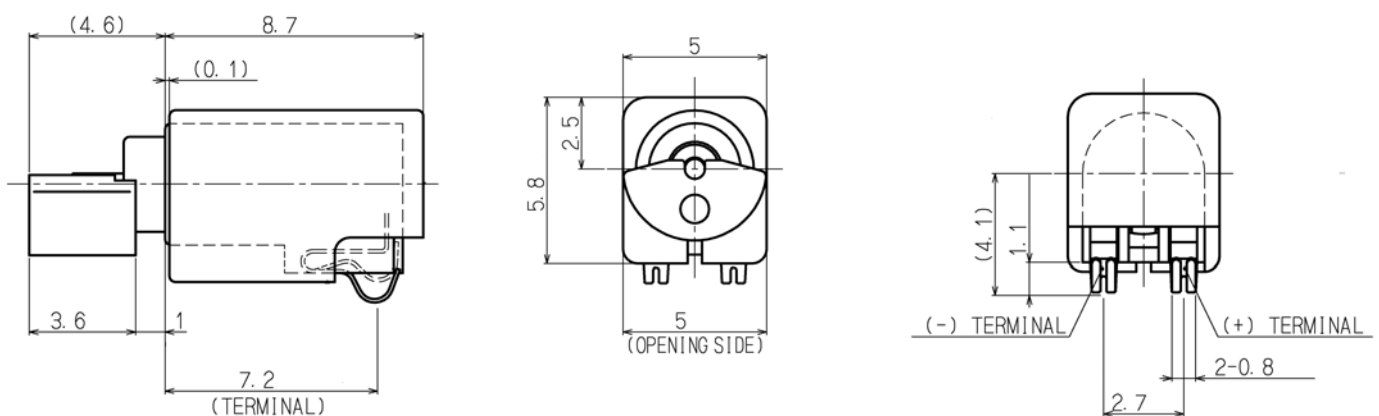
- Compact design – Only 12.5mm long
- Low Current
- Higher Speed – Greater vibration

Model	Rated Voltage (Vdc)	Rated Speed min (rpm)	Rated Current (mA)	Starting Voltage (Vdc)	Accel Force (G)	Overall Length (mm)	Motor Length (mm)
LA4-459AB	3.0	11,500	52	1.40	1.10	12.5	8.05

Outline Dimensions (mm)



Outline Dimensions with rubber boot (mm)



Nidec Copal (USA) Corporation
 373 Van Ness Ave Suite 180
 Torrance, CA 90501
 Ph: (310) 782-6102
 Fax: (310) 782-6821
 www.copal-usa.com
 info@copal-usa.com