

COPAL

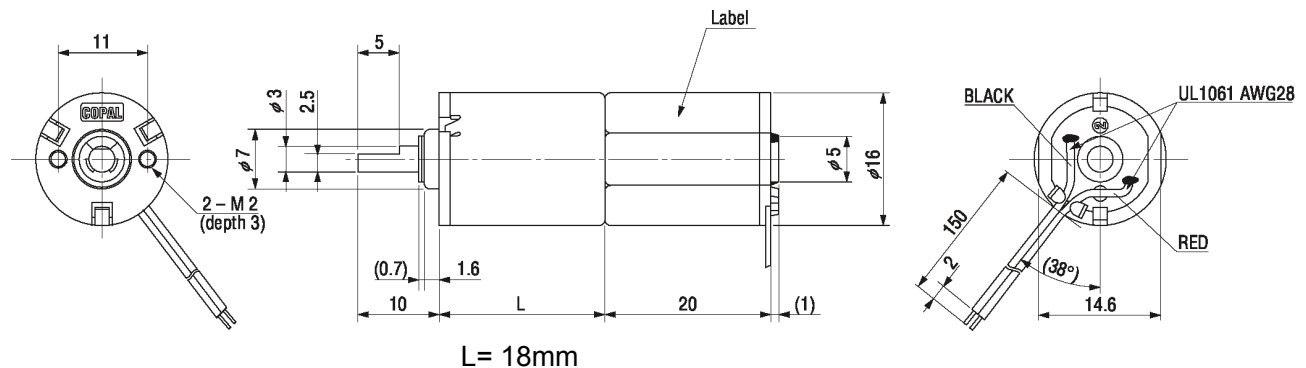
16mm Gear Motor MG16 Series 60:1 Ratio Metal Planetary Gears



Case :Metal
 Bearing Type :Sleeve
 Operating Temp :0°C~50°C
 Rotation :CW, CCW
 Net Weight : 30g

- Planetary metal gearbox
- Special configurations available upon request
- RoHS Compliant
- Optional Encoder Available

Model	Rated Voltage (DC)	Operating Voltage (DC)	Rated Current (mA)	Stall Current (mA)	Rated Torque		Starting Torque		Rated Speed (rpm)	No Load Speed (rpm)
					oz-in	mNm	oz-in	mNm		
MG16-060-AA	6	5.4~6.6	400	1600	4.86	34.3	13.8	98	164	213
MG16-060-AB	12	10.8~13.2	250	800						
MG16-060-AC	24	21.6~26.4	200	450	4.86	34.3	13.8	98	170	250



Nidec Copal (U.S.A.) Corp.

373 Van Ness Ave Suite 130
 Torrance, CA 90501
 Tel: (310) 782-6102
 Fax: (310) 782-6821
www.nidec-copal-usa.com
info@nidec-copal-usa.com

Optional Encoder Specifications

Supply voltage: +5vdc
 Supply current: 18mA
 Source light: LED
 Two Channel square wave quadrature output
 Available resolutions (cpr): 75, 150, 160, 200