

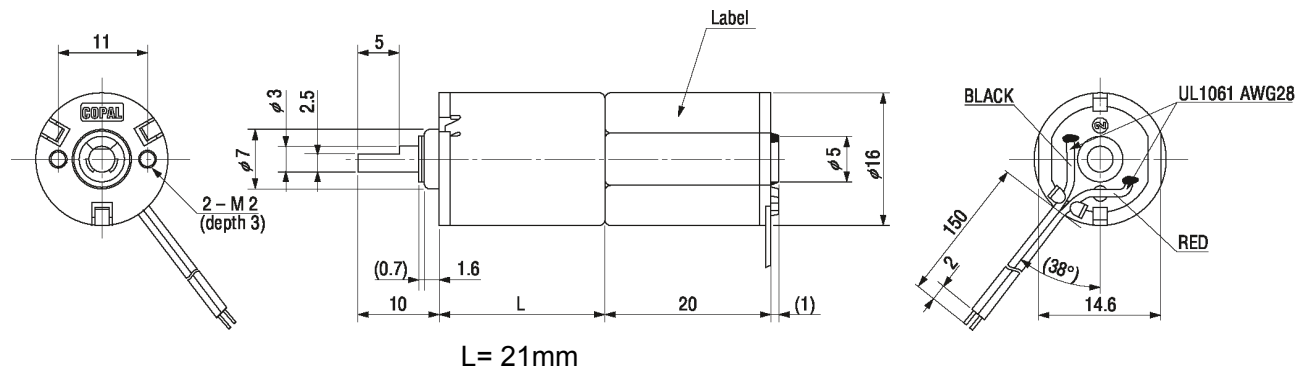
COPAL 16mm Gear Motor MG16 Series 240:1 Ratio Planetary Metal Gears



Case :Metal
 Bearing Type :Sleeve
 Operating Temp :0°C~50°C
 Rotation :CW, CCW
 Net Weight :35g

- Planetary metal gearbox
- Special configurations available upon request
- RoHS Compliant
- Optional Encoder

Model	Rated Voltage (DC)	Operating Voltage (DC)	Rated Current (mA)	Stall Current (mA)	Rated Torque		Starting Torque		Rated Speed (rpm)	No Load Speed (rpm)
					oz-in	mNm	oz-in	mNm		
MG16-240-AA	6	5.4~6.6	400	1600	13.9	98	45.7	323	42	53
MG16-240-AB	12	10.8~13.2	250	800						
MG16-240-AC	24	21.6~26.4	200	450						



Nidec Copal (U.S.A.) Corp.

373 Van Ness Ave Suite 130
 Torrance, CA 90501
 Tel: (310) 782-6102
 Fax: (310) 782-6821
www.nidec-copal-usa.com
info@nidec-copal-usa.com

Optional Encoder Specifications

Supply voltage: +5vdc
 Supply current: 18mA
 Light source: LED
 Two channel square wave quadrature output
 Available resolutions (cpr): 75, 150, 160, 200