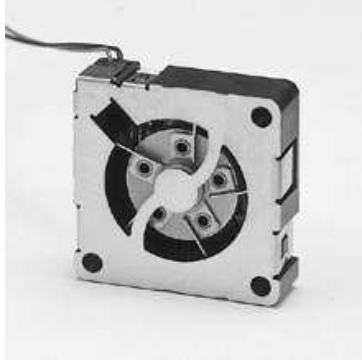
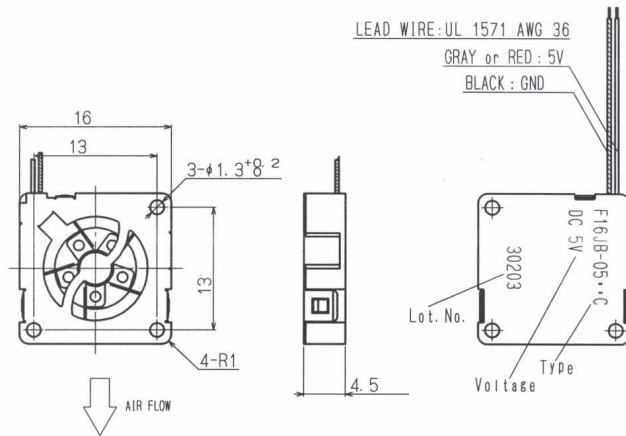


# COPAL F16 16mm Brushless Blower

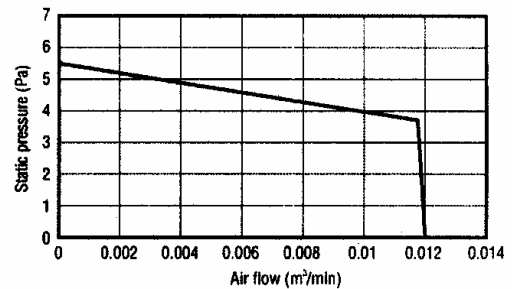


Frame and Impeller: ABS/PBT Alloy  
 Bearing: C Type: Sleeve bearing  
 Operating Temp: -10 ~ +60°C  
 Net Weight: 1.2g

MODEL	Voltage DC	Operating Voltage (DC)	Current (A)	Rotating Speed	Air Flow		Static Pressure		Noise db(A)
					ft <sup>3</sup> /min	m <sup>3</sup> /min	H <sub>2</sub> O	PA	
F16FB	5.0	4.5 - 5.7	.04	6,000	.423	.012	2.2	5.5	3



## ● F16FB-05LLC (Representative)



**RoHS Compliant**

## Nidec Copal (USA) Corporation

373 Van Ness Ave Suite 130  
 Torrance, CA 90501  
 Ph: (310) 782-6102  
 Fax: (310) 782-6821  
[www.nidec-copal-usa.com](http://www.nidec-copal-usa.com)  
[info@nidec-copal-usa.com](mailto:info@nidec-copal-usa.com)