

COPAL

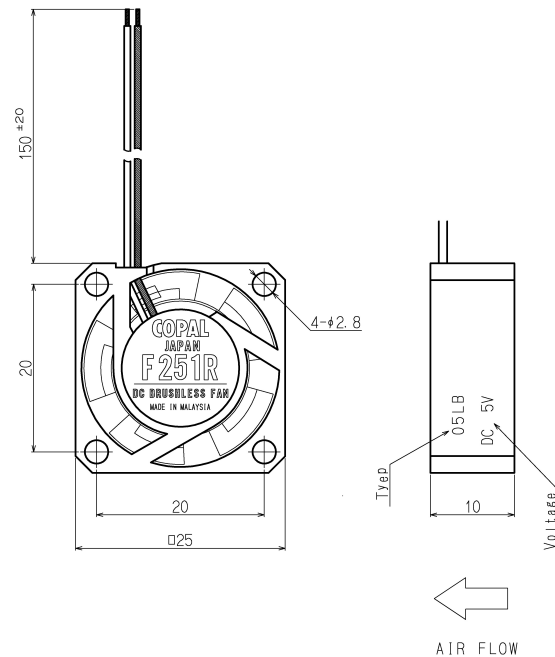
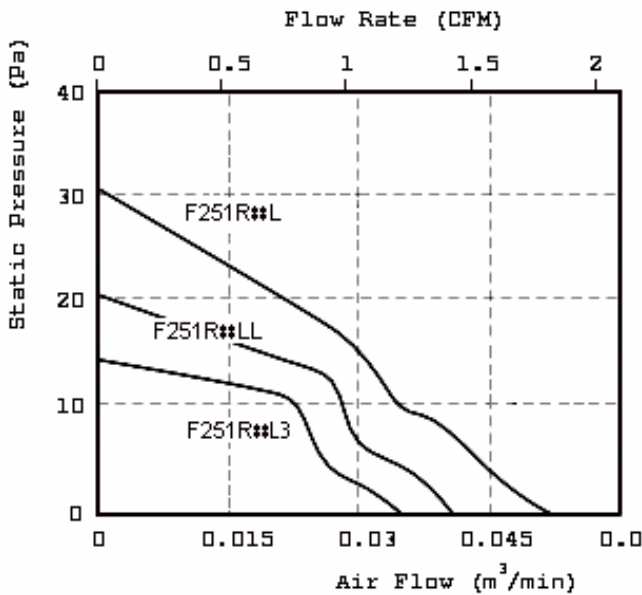
F251R SERIES 25mm Brushless Fans



Frame and Impeller: ABS/PBT Alloy
 Bearing: A Type: 2 ball bearings
 B Type: ball and sleeve bearing
 C Type: Sleeve bearing
 Operating Temp: -10~+60°C
 Net Weight: 7g

Designation: **F251R** - **05** **LL** **A**
 Model voltage Speed Bearing Type

Model	Voltage (DC)	Operating Voltage (DC)	Current (A)	Rotating Speed (rpm)	Air Flow		Static Pressure		Noise db(A)
					ft ³ /min	m ³ /min	H ₂ O	PA	
F251R-05L3 A/B/C	5	4.5 - 5.7	0.04	5,500	1.24	0.035	0.056	14	9
F251R-12L3-A/B/C	12	10.2 - 13.8	0.02						
F251R-05LL A/B/C	5	4.5 - 5.7	0.05	6,500	1.41	0.040	0.08	20	11
F251R-12LL A/B/C	12	10.2 - 13.8	0.03						
F251R-05L A/B/C	5	4.5 - 5.7	0.06	8,000	1.77	0.050	0.12	30	15
F251R-12L A/B/C	12	10.2 - 13.8	0.04						



Nidec Copal (USA) Corporation
 373 Van Ness Ave Suite 130
 Torrance, CA 90501
 Ph: (310) 782-6102
 Fax: (310) 782-6821
 www.nidec-copal-usa.com
 info@nidec-copal-usa.com

RoHS Compliant