

# COPAL

# F251T SERIES 25mm Brushless Fans

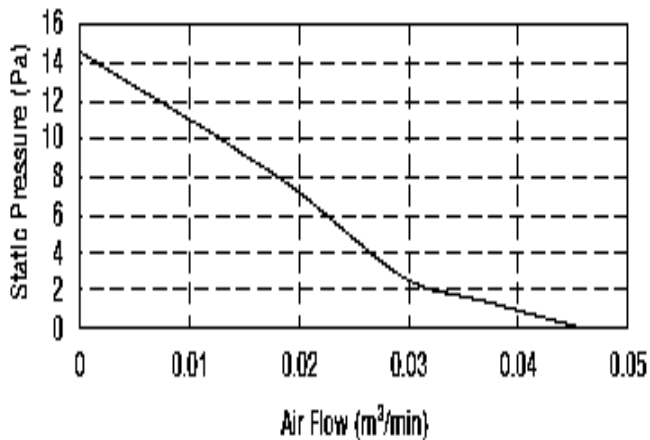


Frame and Impeller: ABS/PBT Alloy  
Bearing: Sleeve Type  
Operating Temp: -10~+60°C  
Net Weight: 5g

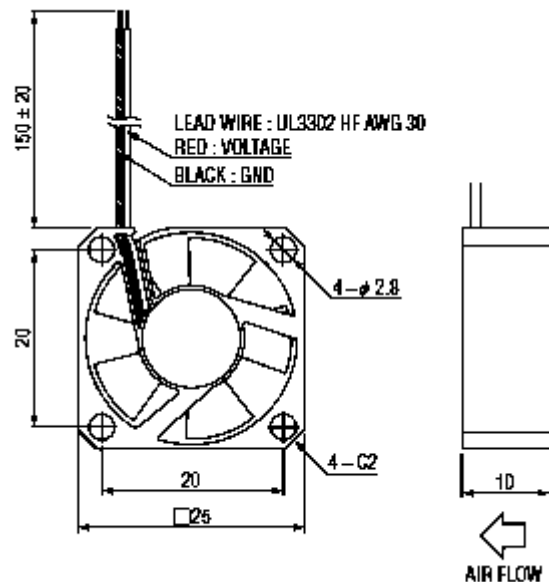
Designation: **F251T** - **05** **LL** **C**  
Model voltage Speed Bearing Type

Model	Voltage Vdc	Operating Range Vdc	Current A	Speed RPM	Air Flow		Static Pressure		Noise db(A)
					CFM	m3/min	H2O	Pa	
F251T-05LLC	5	4.5 ~ 5.7	0.19	6,000	1.62	0.045	0.056	14	12
F251T-12LLC	12	10.2 ~ 13.8	0.08						

## Air Flow



## Outline Dimensions (mm)



**Nidec Copal (USA) Corporation**  
373 Van Ness Ave Suite 130  
Torrance, CA 90501  
Ph: (310) 782-6102  
Fax: (310) 782-6821  
www.nidec-copal-usa.com  
info@nidec-copal-usa.com

**RoHS Compliant**