

# COPAL

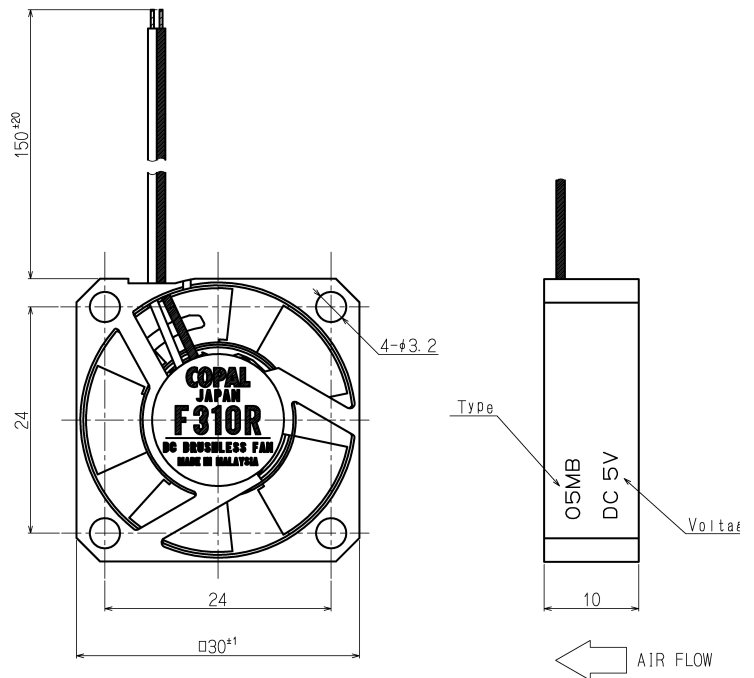
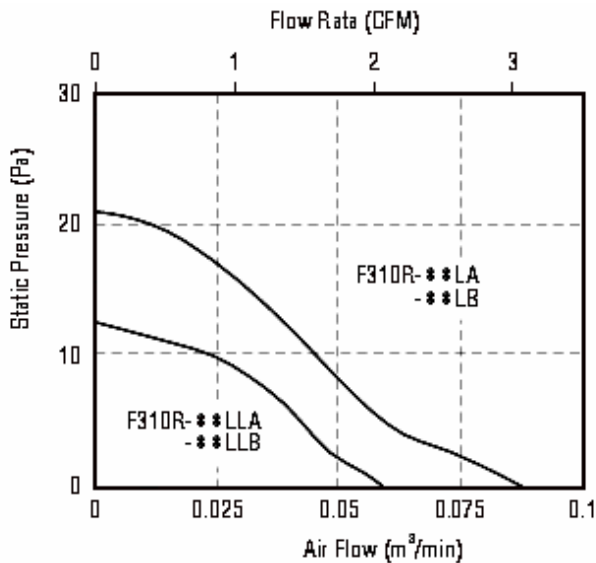
# F310R SERIES 30mm Brushless Fans



Frame and Impeller: ABS/PBT Alloy  
 Bearing: A Type: 2 ball bearings  
           B Type: ball and sleeve bearing  
 Operating Temp: -10~+60°C  
 Net Weight: 8g

Designation: **F310R** - **05** **LL** **A**  
                   Model       voltage     Speed       Bearing Type

Model	Voltage Vdc	Operating Range Vdc	Current A	Speed RPM	Air Flow		Static Pressure		Noise db(A)
					CFM	m3/min	H2O	Pa	
<b>F310R-05LL A/B</b>	5	4.2 ~ 5.7	0.07	5,500	2.11	0.06	0.048	12	13
<b>F310R-12LL A/B</b>	12	10.2 ~ 13.8	0.04						
<b>F310R-05LL A/B</b>	5	4.2 ~ 5.7	0.07	7,000	3.19	0.09	0.092	23	17
<b>F310R-12L A/B</b>	12	10.2 ~ 13.8	0.04						



**Nidec Copal (USA) Corporation**  
 373 Van Ness Ave Suite 130  
 Torrance, CA 90501  
 Ph: (310) 782-6102  
 Fax: (310) 782-6821  
 www.nidec-copal-usa.com  
 info@nidec-copal-usa.com

**RoHS Compliant**