

# COPAL F410T SERIES 40 x 10mm Brushless Fans

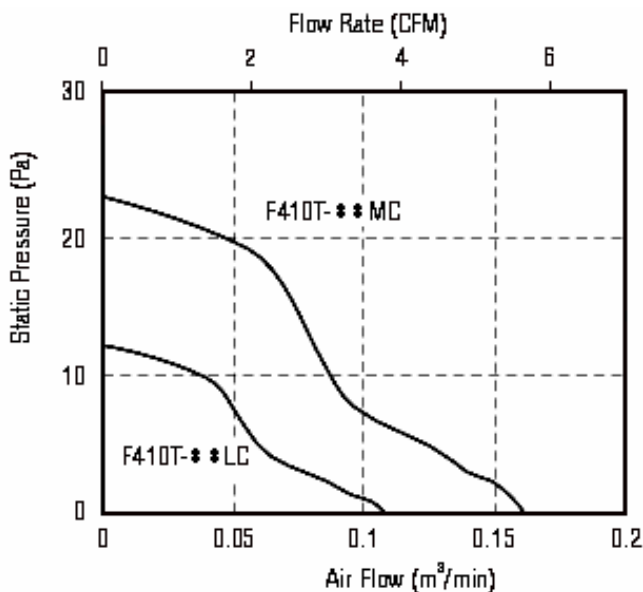


Frame and Impeller: ABS/PBT Alloy  
 Bearing: Sleeve Type  
 Operating Temp: -10~+60°C  
 Net Weight: 20g

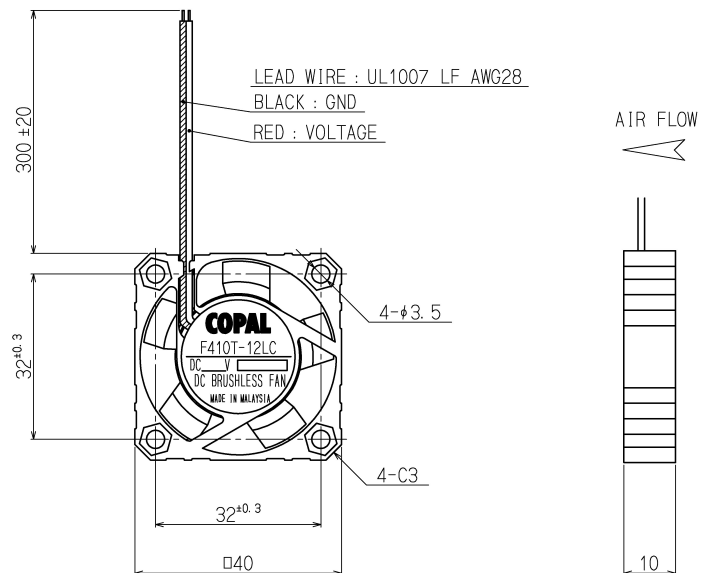
Designation: **F410T** - **05** **L** **C**  
 Model voltage Speed Bearing Type

Model	Voltage (Vdc)	Operating Range (Vdc)	Current (A)	Speed RPM	Air Flow		Static Pressure		Noise db(A)
					CFM	m <sup>3</sup> /min	H2O	Pa	
F410T-05LC	5	4.2 ~ 5.7	0.08	4,600	3.88	0.11	0.04	10	12
F410T-12LC	12	10.2 ~ 13.8	0.04						
F410T-05MC	5	4.2 ~ 5.7	0.1	5,800	5.65	0.16	0.092	23	18
F410T-12MC	12	10.2 ~ 13.8	0.06						

## Air Flow



## Outline Dimensions (mm)



Nidec Copal (USA) Corporation  
 373 Van Ness Ave Suite 130  
 Torrance, CA 90501  
 Ph: (310) 782-6102  
 Fax: (310) 782-6821  
[www.nidec-copal-usa.com](http://www.nidec-copal-usa.com)  
[info@nidec-copal-usa.com](mailto:info@nidec-copal-usa.com)

**RoHS Compliant**