

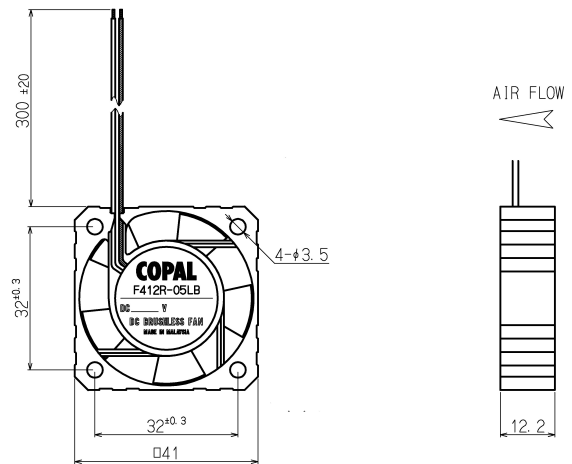
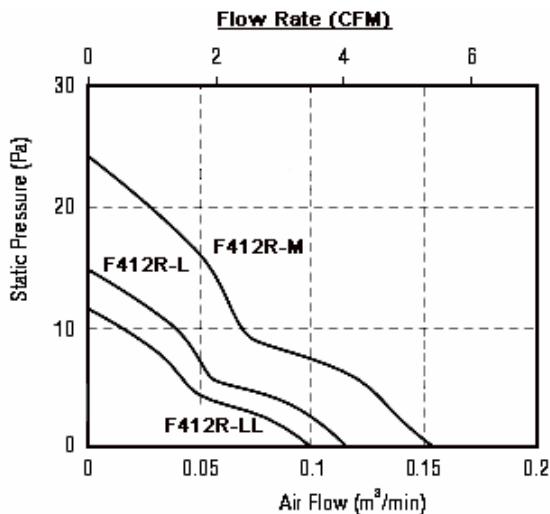
COPAL F412R SERIES 40 x 12mm Brushless Fans



Frame and Impeller: ABS/PBT Alloy
 Bearing: A Type: 2 ball bearings
 B Type: ball and sleeve bearing
 Operating Temp: -10~+60°C
 Net Weight: 20g

Designation: **F412R** - **05** **LL** **A**
 Model voltage Speed Bearing Type

Model	Voltage (Vdc)	Operating Range (Vdc)	Current (A)	Speed (rpm)	Air Flow		Static Pressure		Noise db(A)
					CFM	m ³ /min	H ₂ O	Pa	
F412R-12LLB	12	10.2 ~ 13.8	0.04	3,750	3.5	0.1	0.048	12	14
F412R05LB	5	4.5 ~ 5.7	0.08	4,200	3.88	0.11	0.06	15	16
F412R-12L A/B	12	10.2 ~ 13.8	0.04						
F412R-24L A/B	24	20.4 ~ 26.4	0.03	5,400	5.3	0.15	0.1	26	23
F412R-05MB	5	4.5 ~ 5.7	0.1						
F412R-12M A/B	12	10.2 ~ 13.8	0.06	4,200	4.23	0.12	0.06	15	18
F412R-24M A/B	24	20.4 ~ 26.4	0.04						
F412RS05LB	5	4.7 ~ 5.7	0.1	4,200	4.23	0.12	0.06	15	18
F412RS12LB	12	10.2 ~ 13.8	0.06						
F412RS24LB	24	20.4 ~ 26.4	0.04						



Nidec Copal (U.S.A.) Corporation
 373 Van Ness Ave Suite 130
 Torrance, CA 90501
 Ph: (310) 782-6102
 Fax: (310) 782-6821
 info@nidec-copal-usa.com
 www.nidec-copal-usa.com

RoHS Compliant