

COPAL

F455B-05MD 45 x 5mm Blower Fan

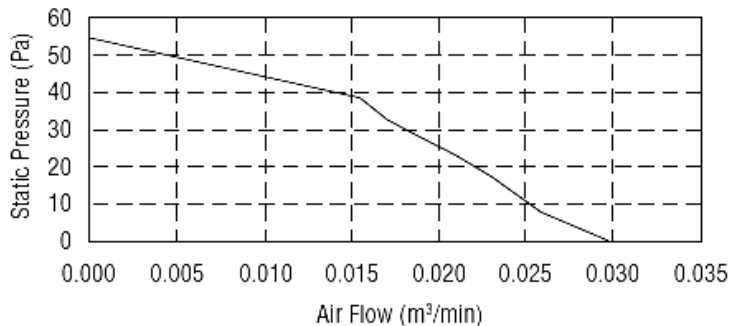


Impeller: ABS/PBT Alloy
Bearing: Sleeve Type
Operating Temp: -10~+60°C
Net Weight: 25g

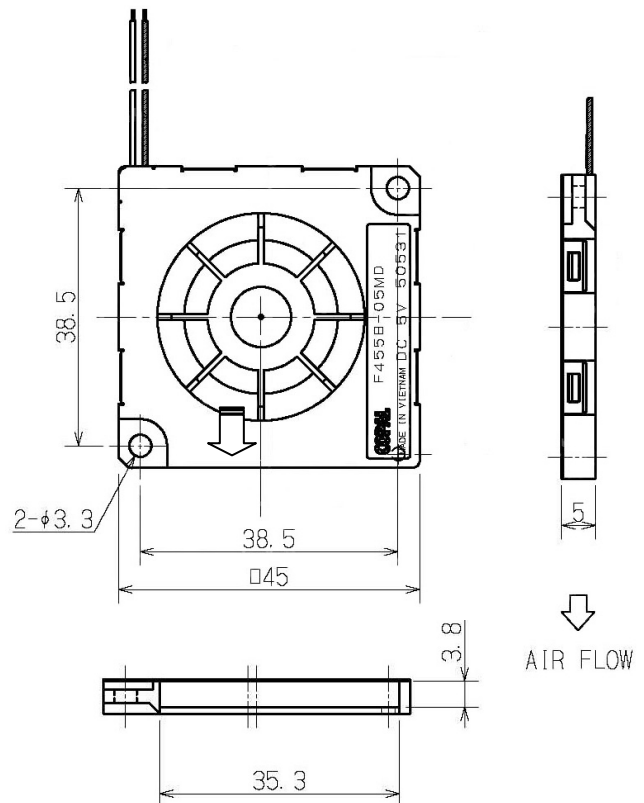
RoHS Compliant

Model	Voltage (Vdc)	Operating Range (Vdc)	Current (A)	Speed (rpm)	Air Flow		Static Pressure		Noise dB(A)
					CFM	m ³ /min	inH ₂ O	Pa	
F455B-05MD	5	4.5-5.5	0.14	5,000	1.06	0.029	0.217	54	23

Air Flow



Outline Dimensions (mm)



Nidec Copal (USA) Corporation

373 Van Ness Ave Suite 130

Torrance, CA 90501

Ph: (310) 782-6102

Fax: (310) 782-6821

www.nidec-copal-usa.com

info@nidec-copal-usa.com