

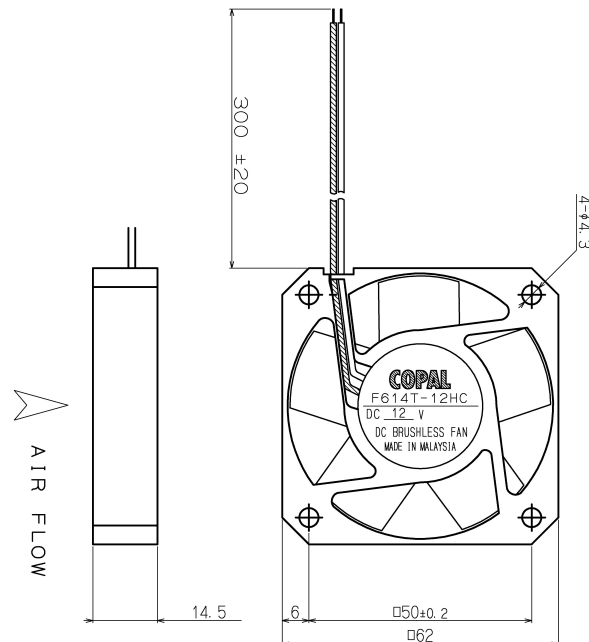
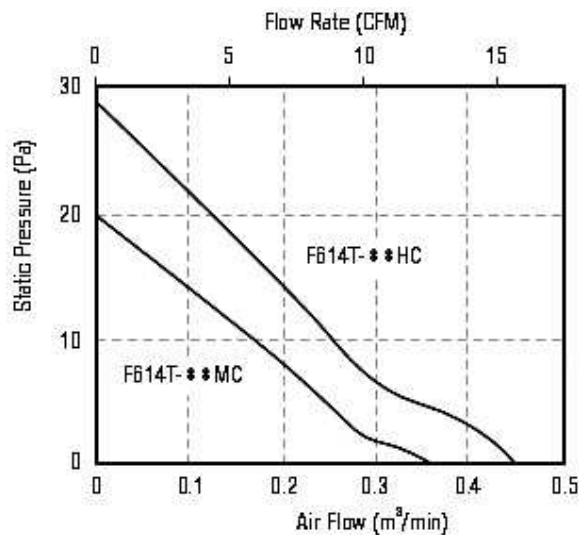
COPAL F614T SERIES 62 x 14mm Brushless Fans



Frame and Impeller: ABS/PBT Alloy
 Bearing: Sleeve Type
 Operating Temp: -10~+60°C
 Net Weight: 40g

Designation: **F614T** - **05** **M** **C**
 Model voltage Speed Bearing Type

Model	Voltage (Vdc)	Operating Range (Vdc)	Current (A)	Speed RPM	Air Flow		Static Pressure		Noise db(A)
					CFM	m ³ /min	H ₂ O	Pa	
F614T-05MC	5	4.2 ~ 5.7	0.13	2,900	12.71	0.36	0.08	20	23
F614T-12MC	12	10.2 ~ 13.8	0.07						
F614T-24MC	24	20.4 ~ 27.6	0.03						
F614T-12HC	12	10.2 ~ 13.8	0.08	3,600	15.18	0.43	0.11	28	29
F614T-24HC	24	20.4 ~ 27.6	0.04						



Nidec Copal (USA) Corporation
 373 Van Ness Ave Suite 130
 Torrance, CA 90501
 Ph: (310) 782-6102
 Fax: (310) 782-6821
www.nidec-copal-usa.com
info@nidec-copal-usa.com

RoHS Compliant