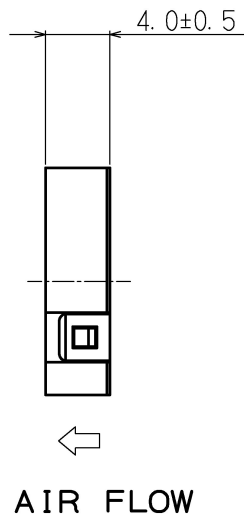
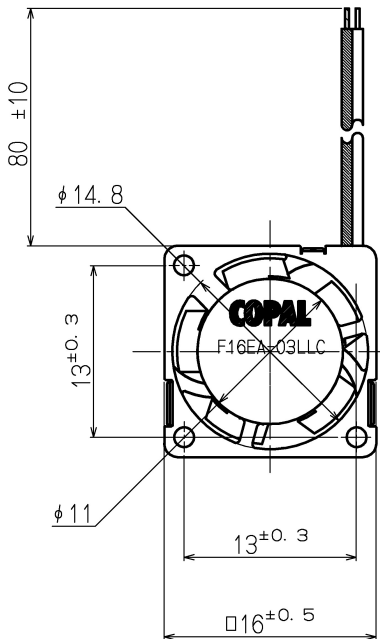


# COPAL F16 SERIES 16mm Brushless Fan

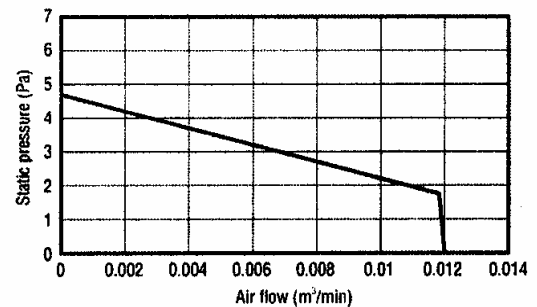


Frame and Impeller: ABS/PBT Alloy  
 Bearing: Sleeve Type  
 Operating Temp:  $-10 \sim +60^{\circ}\text{C}$   
 Net Weight: 1.3g

MODEL	Voltage (DC)	Operating Voltage (DC)	Current (A)	Rotating Speed (rpm)	Air Flow		Static Pressure		Noise db(A)
					ft <sup>3</sup> /min	m <sup>3</sup> /min	H <sub>2</sub> O	PA	
F16EA-03LLC	3.3	3.2 – 3.5	0.02	6,500	.424	0.012	1.88	4.7	3



EA-03LLC (Representative)



**RoHS Compliant**

**Nidec Copal (USA) Corporation**  
 373 Van Ness Ave Suite 130  
 Torrance, CA 90501  
 Ph: (310) 782-6102  
 Fax: (310) 782-6821  
[www.nidec-copal-usa.com](http://www.nidec-copal-usa.com)  
[info@nidec-copal-usa.com](mailto:info@nidec-copal-usa.com)