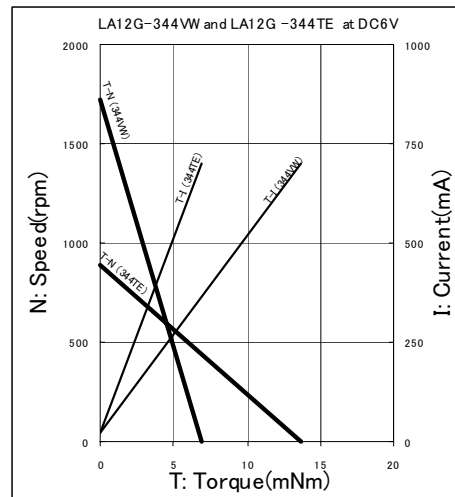
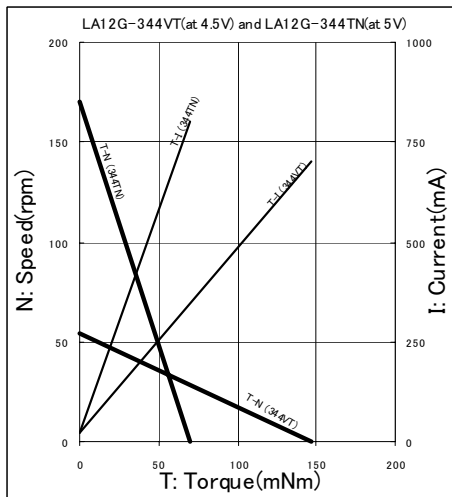


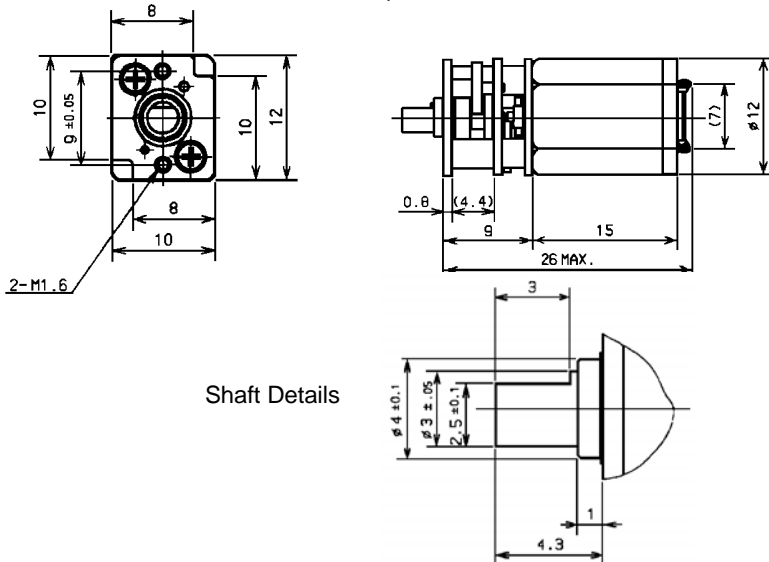


- Metal Spur Gears
- High Torque
- Compact Size
- Optional drive shafts configurations
- RoHS Compliant

| Model | Gear Ratio | Rated Voltage DC | Rated Current (mA) | Stall Current (mA) | Rated Torque | | Stall Torque | | Rated Speed (rpm) | No Load Speed (rpm) |
|-------------|------------|------------------|--------------------|--------------------|--------------|------|--------------|-------|-------------------|---------------------|
| | | | | | in-oz | mNm | in-oz | mNm | | |
| LA12G-344VT | 298:1 | 4.5 | 220 | 700 | 6.94 | 49 | 20.8 | 147.1 | 40 | 54 |
| LA12G-344TN | 107:1 | 5 | 250 | 800 | 4.86 | 34.3 | 9.92 | 70 | 100 | 170 |
| LA12G-344TE | 20:1 | 6 | 150 | 700 | 0.153 | 1.08 | 1.94 | 13.7 | 815 | 885 |
| LA12G-344VW | 11:1 | 6 | 200 | 700 | 0.28 | 1.96 | 0.97 | 6.86 | 1400 | 1720 |



Outline Dimensions (Model LA12G-344VT shown)



Nidec Copal (U.S.A.) Corp.
 373 Van Ness Ave Suite 130
 Torrance, CA 90501
 Tel: (310) 782-6102
 Fax: (310) 782-6821
www.nidec-copal-usa.com
info@nidec-copal-usa.com