

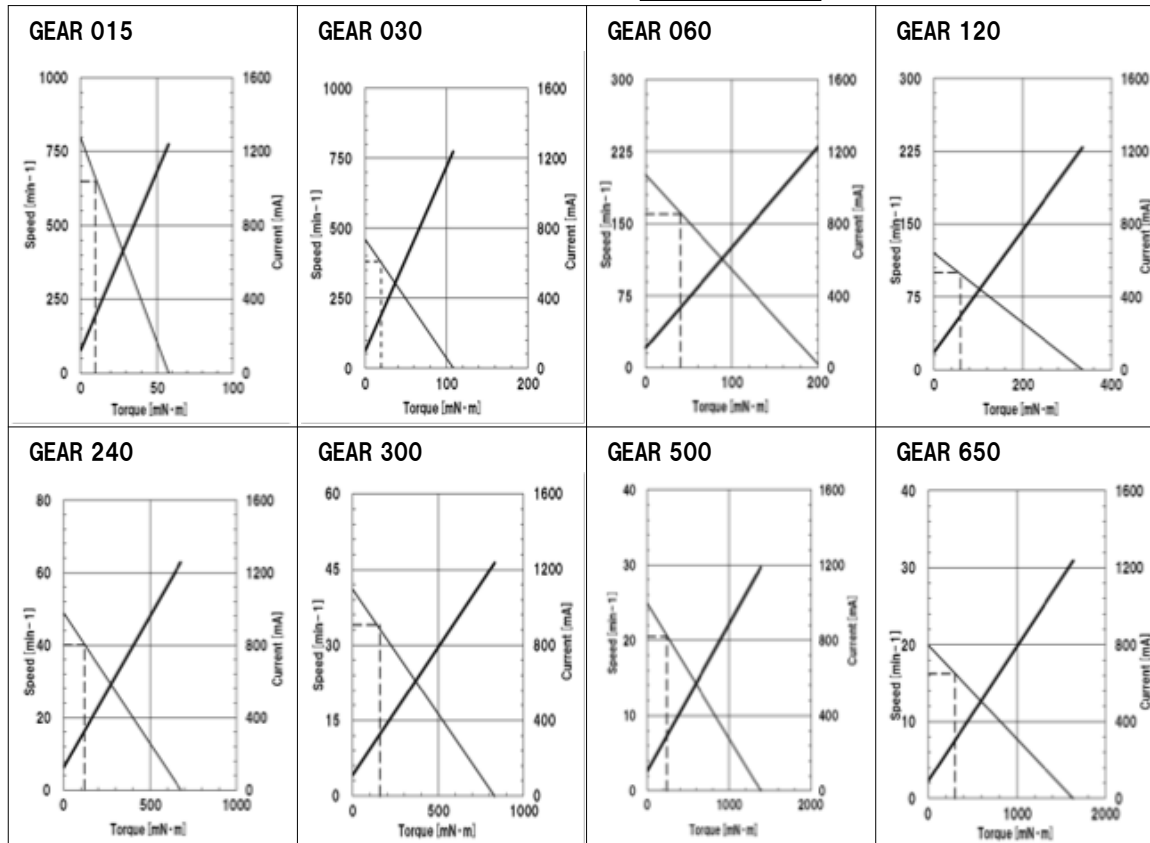
MG16B series, ϕ 16BRUSH MOTOR, Metal Planetary Gear, 6V

1. Spec/ 仕様一覧表

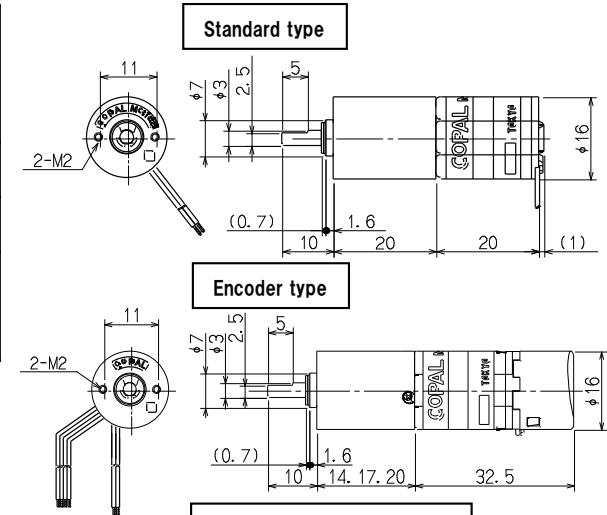
Voltage (V)	Nominal 呼称	Gear Ratio 減速比 1/×	Torque(mNm) トルク			Speed(min ⁻¹)(Ref.) 回転数		Current(mA) 電流			Gear head Length ギヤ部全長	Mass (Ref.)
			Rated (Recommended) 定格(推奨)	Allowable 許容	Stall 起動	No load 無負荷	Rated load 定格	No load 無負荷	Rated load 定格	Stall 起動		
6	015	16.0	10	15	>30	790	650	<160	<400	<1600	14mm	30g
	030	28.5	20	30	>50	465	380				17mm	33g
	060	64.0	40	60	>100	200	160				20mm	36g
	120	107.2	60	90	>170	120	100					
	240	256.0	120	180	>350	49	40					
	300	304.0	160	240	>400	42	34					
	500	509.0	240	360	>600	25	20.5					
650	643.0	300	450	>900	20	17						

2. Characteristic curves (Ref.) / 特性図

— : SPEED
— : CURRENT



3. Outline drawing/ 概略寸法図



Connection (Encoder type)

(Yellow)	(OUTPUT "Z")
Purple	MOTOR -
Black	ENCODER 0V
Green	OUTPUT "B"
White	OUTPUT "A"
Red	ENCODER +5V
Orange	MOTOR +
Wire color	Function

4. Encoder Spec/ エンコーダ仕様

Voltage: 5 V DC

Channel チャンネル	Resolution 分解能	MAX. Frequency Response 最大応答周波数
2 (Can be added to the Z-phase / Z相追加可)	32 P/R (Z-phase 1P/R)	10kHz (Z-phase 312.5Hz)
2 (Can be added to the Z-phase / Z相追加可)	64 P/R (Z-phase 1P/R)	10kHz (Z-phase 156.25Hz)
2 (Can be added to the Z-phase / Z相追加可)	128 P/R (Z-phase 1P/R)	10kHz (Z-phase 178.125Hz)

Output wave form(Ref.)

