

# COPAL

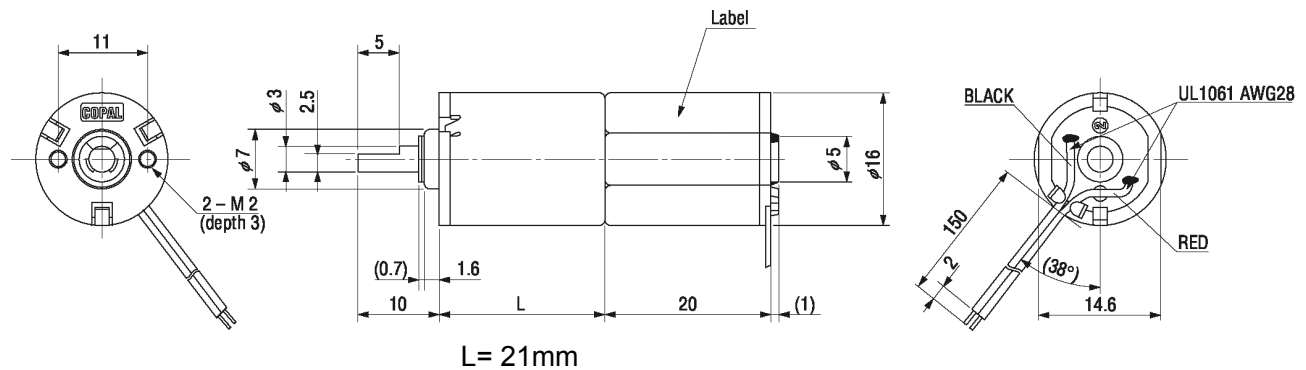
## 16mm Gear Motor MG16 Series 500:1 Ratio Planetary Metal Gears



Case :Metal  
Bearing Type :Sleeve  
Operating Temp :0°C~50°C  
Rotation :CW, CCW  
Net Weight :35g

- Planetary metal gearbox
- Special configurations available upon request
- RoHS Compliant
- Optional Encoder

| Model       | Rated Voltage (DC) | Operating Voltage (DC) | Rated Current (mA) | Stall Current (mA) | Rated Torque |     | Starting Torque |     | Rated Speed (rpm) | No Load Speed (rpm) |
|-------------|--------------------|------------------------|--------------------|--------------------|--------------|-----|-----------------|-----|-------------------|---------------------|
|             |                    |                        |                    |                    | oz-in        | mNm | oz-in           | mNm |                   |                     |
| MG16-500-AA | 6                  | 5.4~6.6                | 400                | 1600               | 28           | 196 | 111             | 784 | 21                | 26                  |
| MG16-500-AB | 12                 | 10.8~13.2              | 250                | 800                |              |     |                 |     |                   |                     |
| MG16-500-AC | 24                 | 21.6~26.4              | 100                | 450                | 28           | 196 | 111             | 784 | 27                | 32                  |



### Nidec Copal (U.S.A.) Corp.

373 Van Ness Ave Suite 130  
Torrance, CA 90501  
Tel: (310) 782-6102  
Fax: (310) 782-6821  
www.nidec-copal-usa.com  
info@nidec-copal-usa.com

### Optional Encoder Specifications

Supply voltage: +5vdc  
Supply current: 18mA  
Light source: LED  
Two channel square wave quadrature output  
Available resolutions (cpr): 75, 150, 160, 200